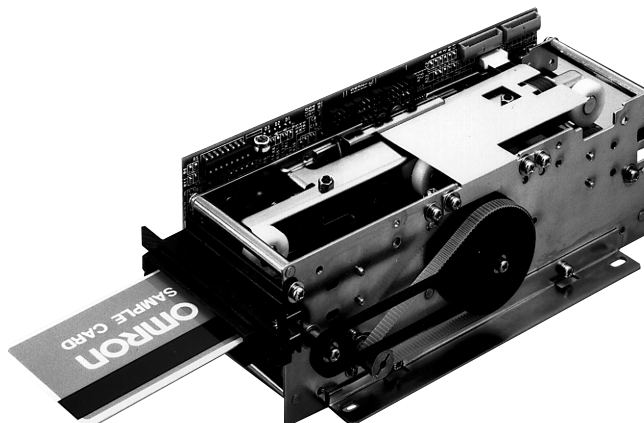


Reliable Reader/Writer Handles Magnetic Cards

- Single, triple, or center track read/write capability
- Compact size and light weight ease installation in any terminal
- User-selectable bit recording densities of 75 bpi, 105 bpi, 150 bpi, and 210 bpi
- HiCo write capability available
- Adjustable to card thicknesses of 0.20 mm, 0.40 mm, or 0.76 mm (PET, paper, or PVC cards)
- RS-232C or TTL-compatible interface



Ordering Information

Magnetic Tracks Supported (R, R/W)					IC Contact	Voltage	Interface	Cover	Cable	Color	Part Number <small>(See note 1)</small>
1	2	3	Center	JIS II							
R/W	R/W	R/W	—	—	No	24	TTL	No	No	Black	3S4YR-MMW1
R/W	R/W	R/W	—	—	No	12	TTL	No	No	Black	3S4YR-MMW1-101
R/W	—	—	—	—	No	24	TTL	No	No	Black	3S4YR-MMW3
R/W	—	—	—	—	No	12	TTL	No	No	Black	3S4YR-MMW3-101
—	R/W	—	—	—	No	24	TTL	No	No	Black	3S4YR-MMW4
—	R/W	—	—	—	No	12	TTL	No	No	Black	3S4YR-MMW4-101
—	R/W	—	—	—	No	24	TTL	No	No	Black	3S4YR-MMW4HT <small>(See notes 2 & 3)</small>
—	—	R/W	—	—	No	24	TTL	No	No	Black	3S4YR-MMW5
—	R/W	—	—	—	No	24	RS-232C	No	No	Black	3S4YR-MMF4
—	R/W	—	—	—	No	24	TTL	No	No	Black	3S4YR-MMF4-HT2 <small>(See note 2)</small>
—	—	—	R/W	—	No	24	TTL	No	No	Black	3S4YR-MZW9T
—	—	—	R/W	—	No	24	TTL	No	No	Black	3S4YR-MZW9HT <small>(See notes 2 & 3)</small>
—	—	—	R/W	—	No	24	RS-232C	No	No	Black	3S4YR-MZF9T4 <small>(See note 3)</small>
—	—	—	R/W	—	No	24	TTL	No	No	Black	3S4YR-MZW99T <small>(See note 4)</small>

Note 1: Contact your Omron representative for other configurations.

2: Models capable of writing HiCo cards. All models can read HiCo cards.

3: Configured at factory for thin cards (0.40 mm).

4: Dual head allows insertion of card in any orientation.

■ TYPICAL APPLICATIONS

- Access Control
- ID Card Checkers
- Public Transportation Systems
- Closed Systems
- Electronic Lock Systems
- Parking Systems
- Vending Machines
- Automatic gate machines
- Customer loyalty schemes
- Ticket machines

■ ACCESSORIES

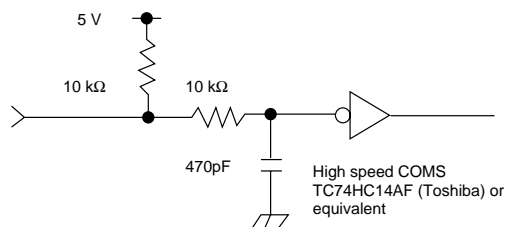
Description	Part Number
Shutter for MMW	SHUTTER MMW

Specifications

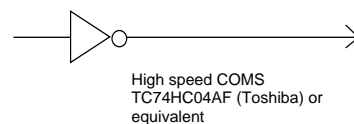
Part number	3S4YR-MMW, MMF, MZW	
Recommended card type	Magnetic card	ISO 7810-7813, JIS X6301/6302 for center stripe
Recording method	FM decoding (F2F)	
Recording density	User selectable 75 DPI, 105 DPI, 150 DPI, or 210 BPI	
Card feeding speed	30 cm/sec \pm 10% (11.8 in/sec)	
Service life	500,000 passes	
Operating power supply	24 VDC \pm 10% or 12 VDC \pm 10% (depending on mode)	
Current consumption	1.5 A max.	
Motor type	DC motor	
Mounting location	Indoors	
Ambient temperature	Operation	0° to 45°C (32° to 113°F)
	Storage	-15° to 60°C (5° to 140°F)
Ambient humidity	Operation	30% to 85% RH without condensation
	Storage	20% to 90% RH without condensation
Vibration	10 to 150 Hz, 0.15 mm, for 8 minutes in X, Y, and Z directions	
Shock	200 m/sec ² (20 G) in each of X, Y, and Z directions	
Dimensions	211L x 90W x 65H mm (8.31L x 3.54W x 2.56H in)	
Weight	Approx. 850 g (1.87 lbs) when fully equipped	

Engineering Data

■ INPUT CIRCUIT DIAGRAM



■ OUTPUT CIRCUIT DIAGRAM



■ I/O INFORMATION

3S4YR-MMW1 (TTL) Interface Connector

MMW1 connectors (34 pin)

Hirose HIF3BA-34PA-2.54DS (male) for card reader side.

Hirose HIF3BA-34D-2.54R (female) for the cable side.

Pin #	Signal	Input/Output	Pin #	Signal	Input/Output
1	+24 V	—	18	MRS	Input
2	+24 V	—	19	$\overline{S1}$	Output
3	+24 V	—	20	$\overline{S2}$	Output
4	+24 V	—	21	$\overline{S3}$	Output
5	0 V	—	22	$\overline{S4}$	Output
6	0 V	—	23	$\overline{RCP2}$	Output
7	0 V	—	24	$\overline{RCP3}$	Output
8	0 V	—	25	$\overline{RDP2}$	Output
9	\overline{RCP}	Output	26	$\overline{RDP3}$	Output
10	\overline{RDT}	Output	27	$\overline{WDT2}$	Input
11	\overline{WCP}	Output	28	$\overline{WDT3}$	Input
12	\overline{FGP}	Output	29	$\overline{WCP2}$	Output
13	\overline{WDT}	Input	30	—	—
14	\overline{CONT}	Input	31	—	—
15	$\overline{CONT2}$	Input	32	—	—
16	$\overline{CONT3}$	Input	33	—	—
17	\overline{MFS}	Input	34	—	—

3S4YR-MMW3,4,5 (TTL) Interface Connector

MMW other connectors (26 pin)

Hirose HIF3BA-26PA-2.54DS (male) for card reader side.

Hirose HIF3BA-26D-2.54R (female) for the cable side.

Pin #	Signal	Input/Output	Pin #	Signal	Input/Output
1	24 V	—	14	\overline{CONT}	Input
2	24 V	—	15	—	—
3	24 V	—	16	—	—
4	24 V	—	17	\overline{MFS}	Input
5	0 V	—	18	\overline{MRS}	Input
6	0 V	—	19	$\overline{S1}$	Output
7	0 V	—	20	—	—
8	0 V	—	21	$\overline{S3}$	Output
9	\overline{RCP}	Output	22	$\overline{S4}$	Output
10	\overline{RDT}	Output	23	—	—
11	\overline{WCP}	Output	24	—	—
12	\overline{FGP}	Output	25	—	—
13	\overline{WDT}	Input	26	—	—

3S4YR-MMF4 RS-232C Interface Connector

MMF4 connectors (34 pin)

3M 3431-6002LCSC for card reader/writer side.

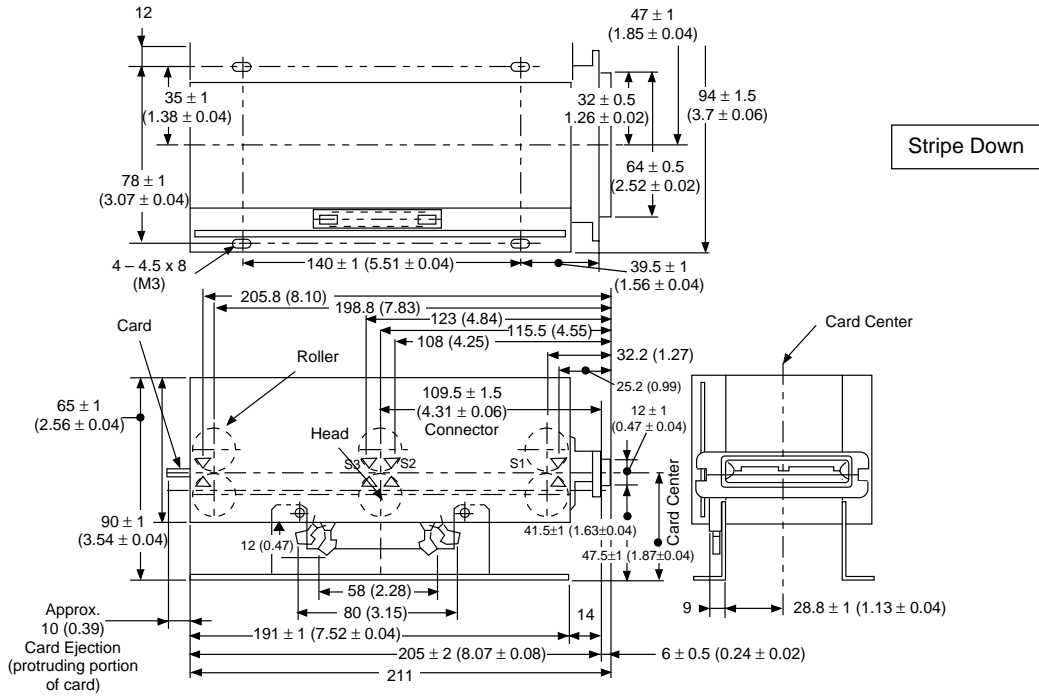
3M 3414-6500SC or 3M 3448-3034J for the cable side.

Pin #	Signal	Input/Output	Pin #	Signal	Input/Output
1	FG	—	18	SG	Input
2	FG	—	19	DSR	Input
3	POV	—	20	CTS	Input
4	POV	—	21	RXD	Input
5	POV	—	22	DTR	Output
6	+24 V	—	23	RTS	Output
7	+24 V	—	24	TXD	Output
8	+24 V	—	25	—	—
9	0 V	—	26	—	—
10	0 V	—	27	BZ	Output
11	+5 V	—	28	+24 V	—
12	+5 V	—	29	+5 V	—
13	—	—	30	0 V	—
14	—	—	31	LED3	Output
15	FG	—	32	LED2	Output
16	FG	—	33	LED1	Output
17	SG	—	34	+5 V	—

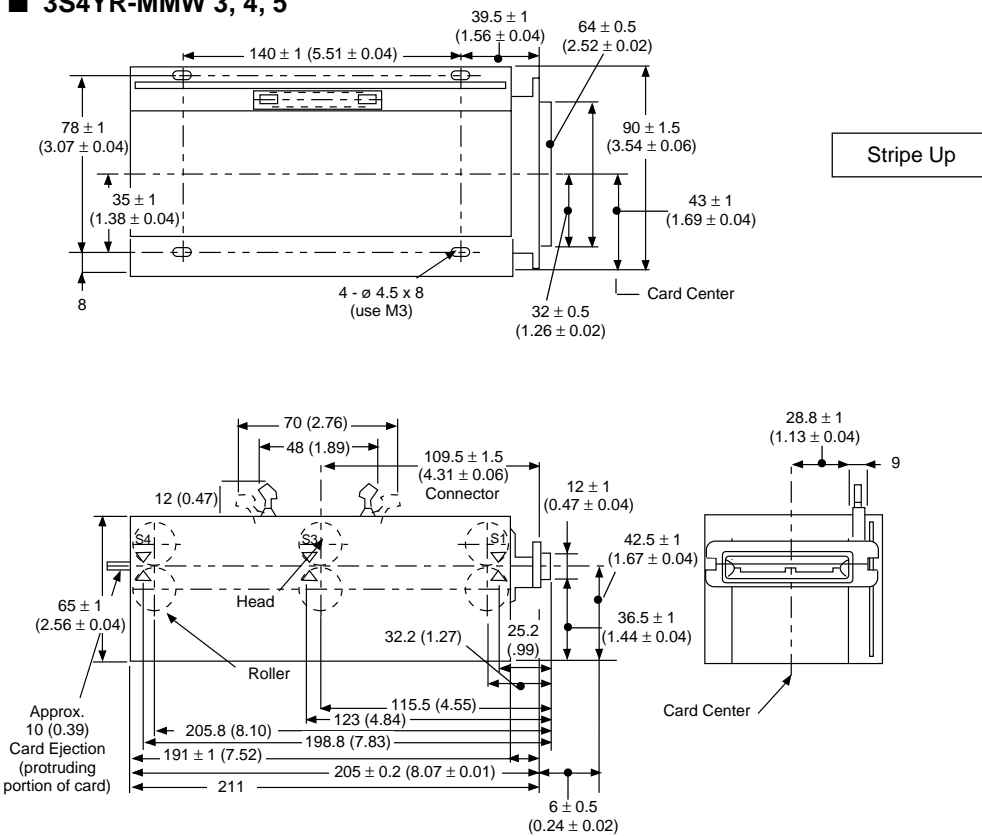
Dimensions

Unit: mm (inch)

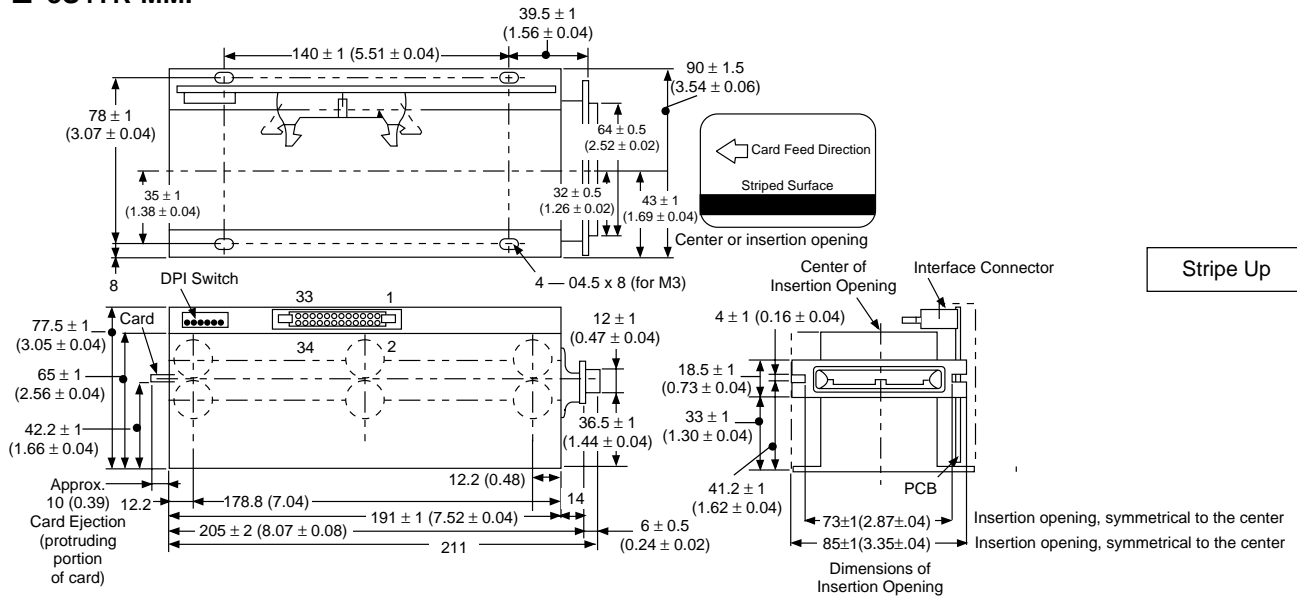
■ 3S4YR-MMW1



■ 3S4YR-MMW 3, 4, 5



■ 3S4YR-MMF



NOTE: DIMENSIONS SHOWN ARE IN MILLIMETERS. To convert millimeters to inches divide by 25.4.

OMRON

OMRON ELECTRONICS, INC
One East Commerce Drive
Schaumburg, IL 60173
1-800-55-OMRON

OMRON CANADA, INC.
885 Milner Avenue
Scarborough, Ontario M1B 5V8
416-286-6465